

FEATURES

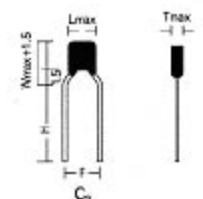
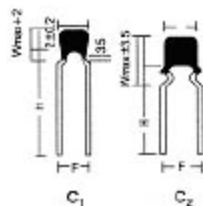
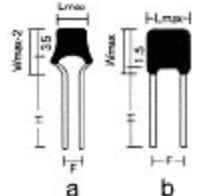
- Wide capacitance, TC, voltage and tolerance range
- Industry standard sizes
- Tape and Reel available for auto placement
- Various lead spacing available



HOW TO ORDER

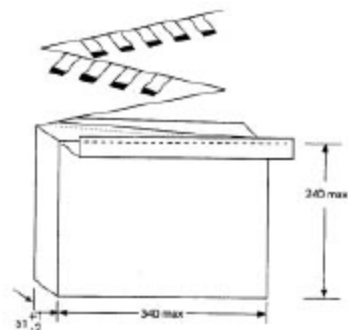
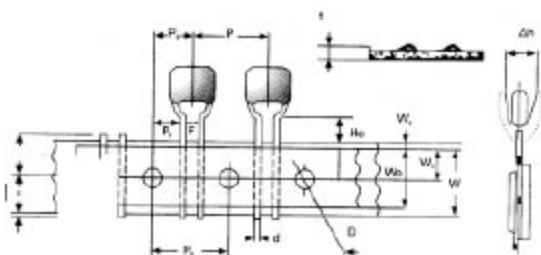
CC4	0805	CG	102	K	500	F
CC4: 1	Size code inches	Dielectric	Nominal Capacitance	Tolerance	Rated Voltage	Packaging Style
Class I Radial leads MLC	0805 0.08 x 0.05	CG COG (NPO)	102 10 x 10 ²	B ±0.10PF	160 16 x 10 ⁰	Tape & Reel P Ammo
CT4: 2	1206 0.12 x 0.06	B X7R	SR0 5.0	C ±0.25PF	250 25 x 10 ⁰	T Reel
Class II Radial leads MLC	1210 0.12 x 0.10	F Y5V		D ±0.5PF	500 50 x 10 ⁰	F F ₁ 2.54
	1812 0.18 x 0.12	E Z5U		F ±1.0%	630 63 x 10 ⁰	F ₂ 4.57
	2225 0.22 x 0.25			G ±2.0%	101 10 x 10 ¹	F ₃ 5.08
	3035 0.30 x 0.35			J ±5.0%	201 20 x 10 ¹	F ₄ 7.5
				K ±10%	501 50 x 10 ¹	F ₅ 3.5
				M ±20%	102 10 x 10 ²	
				S +50-20%	202 20 x 10 ²	
				Z +80-20%		
				P ±100%		

Size Code		Dimensions: (mm)					Voltage	Capacitance (PF)		
		F(±0.2)	Hmin(±0.5)	Lmax	Wmax	Tmax		COG (NPO)	X7R	Y5V (Z5U)
0805	a	2.54	5.0				25V 50V 100V	0R-332 0R5-222 0R5-102	331-104 331-473 331-223	103-105 103-684
	b	2.54	10.0							
	c ₁	5.08	5.0 10.0	4.2	3.8	3.8				
	c ₂	5.08	5.0							
	c ₃	5.08	5.0 10.0							
	c ₄	7.5	5.0							
1206	a	2.54					25V 50V 100V	0R5-682 0R5-472 0R5-392	102-224 102-104 102-683	103-125 103-105
	b	3.50	10.0	5.0	4.5	3.8				
	c ₁	5.08								
1210	b	3.50	10.0	7.6	5.5	3.8	25V 50V 100V	561-103 561-682 561-472	102-334 102-224 102-104	104-155 104-155
	c ₁	5.08								
1812	b	4.75	10.0	8.5	8.5	3.8	25V 50V 100V	102-153 102-103 102-682	103-474 103-334 103-224	154-335 154-325
2225	b	5.50	10.0	10.5	9.5	4.2	25V 50V 100V	102-223 102-223 102-103	103-105 103-105 103-474	684-475 684-335
3035	b	7.50	10.0	12.5	10.5	4.2	25V 50V 100V	102-104 102-473 102-333	103-225 103-225 103-105	105-106 105-685

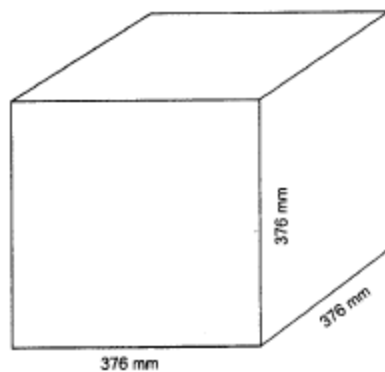
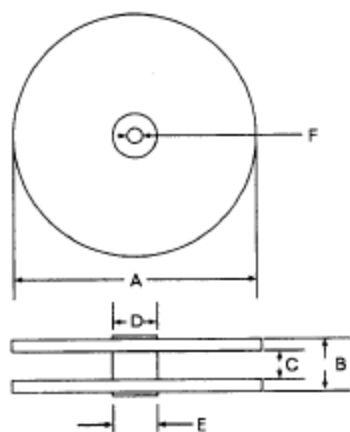


PACKAGING STYLE

Ammo package



Code	P	P _c	P ₁	P ₂	d	h	W	W _c	W ₁	W ₂	H ₀	t	D	t	L _c
Dim	12.7	12.7	$\frac{2.54}{L_1} \pm 0.1$	≈ 6.35	0.5	0	16	13	9	3.0	7-12	1.0	4.0	0.7	11
Tol.	± 1	± 0.8	± 0.7	± 1.3	± 0.1	± 2	± 0.8	± 1	± 0.5	MAX	± 0.5	MAX	MAX	MAX	MAX



Reel Package (mm)

A	B	C	D	E	F
355-365	50.8 max	38.10 - 46.02	102.01 max	86.36 max	25.40 - 30.48

Packaging Quantity

Ammo	Reel Package	Bulk Package
2500	4000	1000, 5000

Remark:

Pitch = 2.54 P1 = 5.1 ± 0.7
Pitch = 5.08 P1 = 3.75 ± 0.7